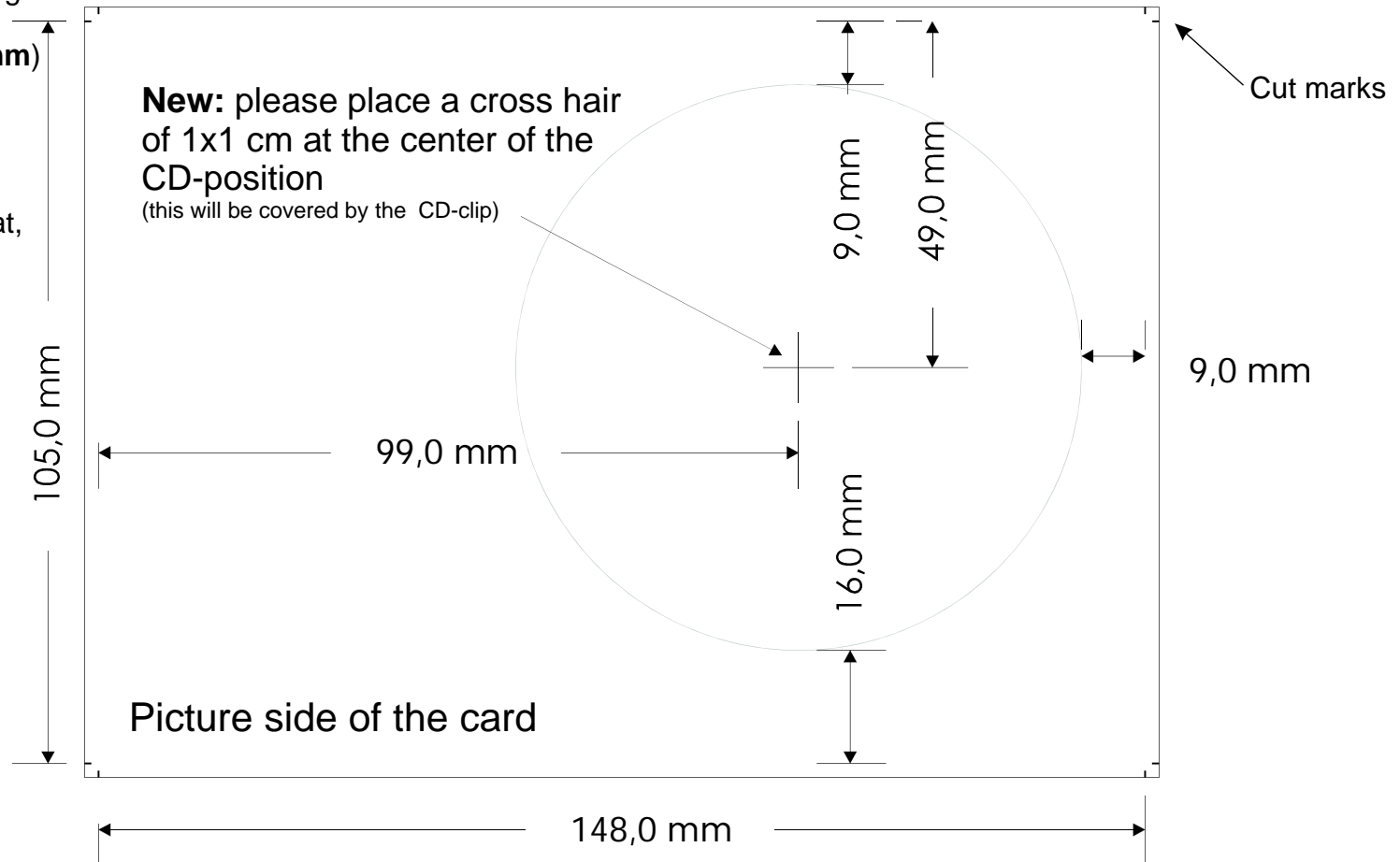


# M4-Card<sup>®</sup> front layout (format DIN A6)

Add **2 mm** of excess (cut) margin to the layout and cut marks (total dimensions: **152x109 mm**)

Set the picture file to a resolution of 360 dpi

Use **.eps oder .pdf** file format, **text in curves, CMYK**



# M4-Card<sup>®</sup> back layout (format DIN A6)

For Mailing purposes, please,  
regard the local post instructions.

Include this text:  
“**M4-Card<sup>®</sup>**!”,  
font size 6pt!



# Mini-CD label print layout

The **printable** area on the CD is from diameter 17 mm to 24,5 mm and 25,5 mm to 78 mm

Please, set your layout from diameter **15 mm to 80 mm**

Do not add keylines or inner/outer rings to the print

Color mode: CMYK

Resolution: 300dpi

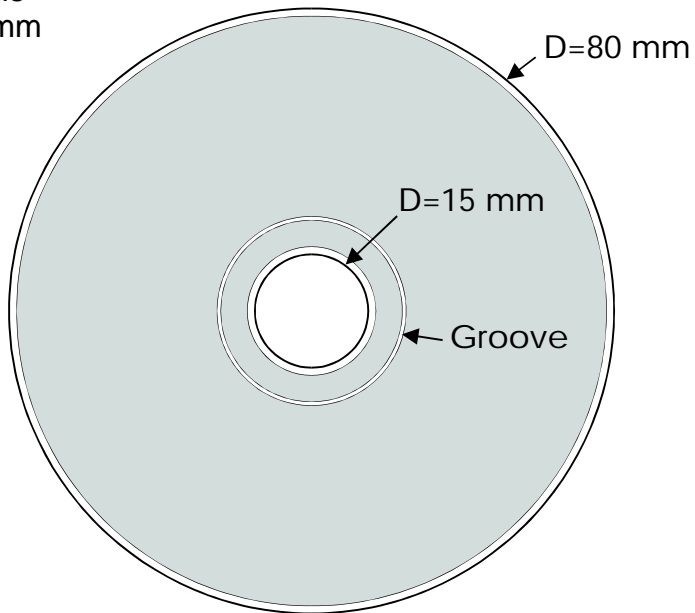
Bleed: 0mm

Format: PDF

Text: Converted to curves

For areas that should not be printed at, please, provide extra directions.

(Silver coating 35-78 mm)



# Mini-DVD label print layout

The **printable** area on the DVD is from diameter 17 mm to 78 mm

Please, set your layout from diameter **15 mm to 80 mm**

Do not add keylines or inner/outer rings to the print

Color mode: CMYK  
Resolution: 300dpi  
Bleed: 0mm  
Format: PDF  
Text: Converted to curves

For areas that should not be printed at, please, provide extra directions.  
(Silver coating 35-78 mm)

