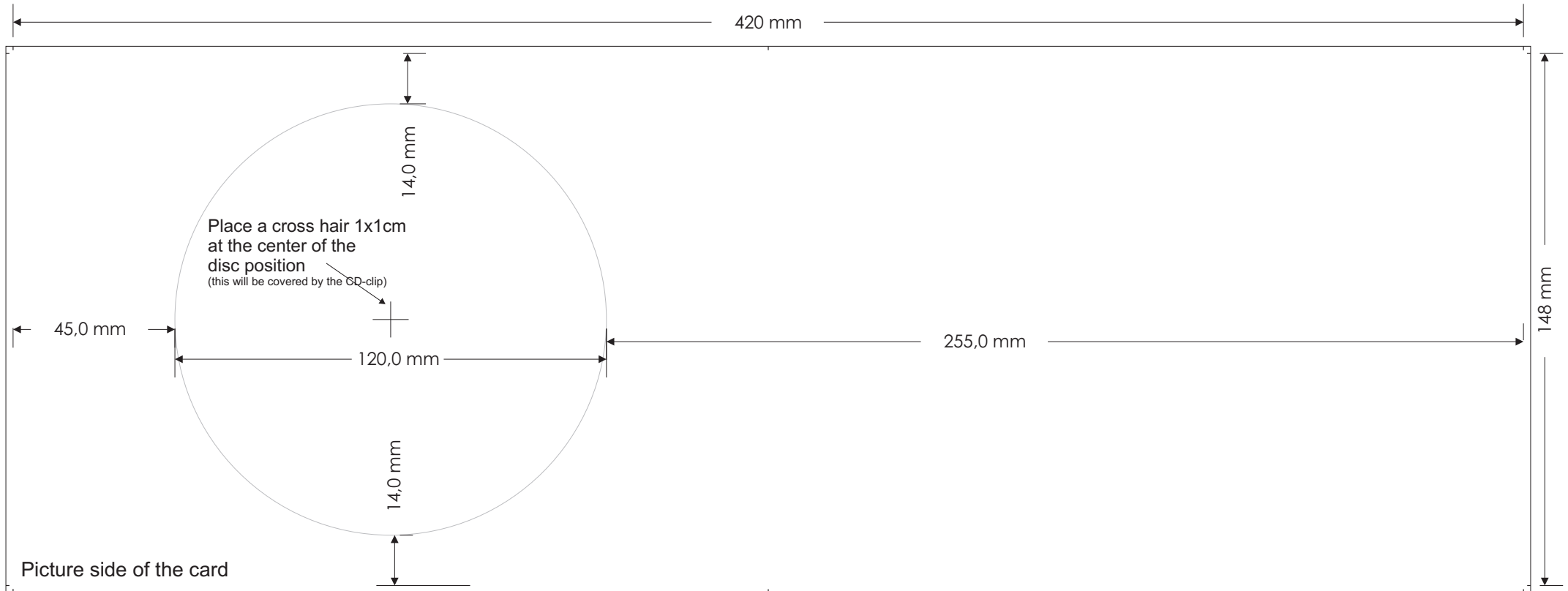


# M4-Card® Maxi layout pages 4 and 1 (folding DIN A5)

*You can design front and back of the M4-Card® layout freely. Please, pay attention to disc position and our general layout instructions!*



Add **2 mm** of excess (cut) margin to the layout

total dimensions: **424x152 mm**

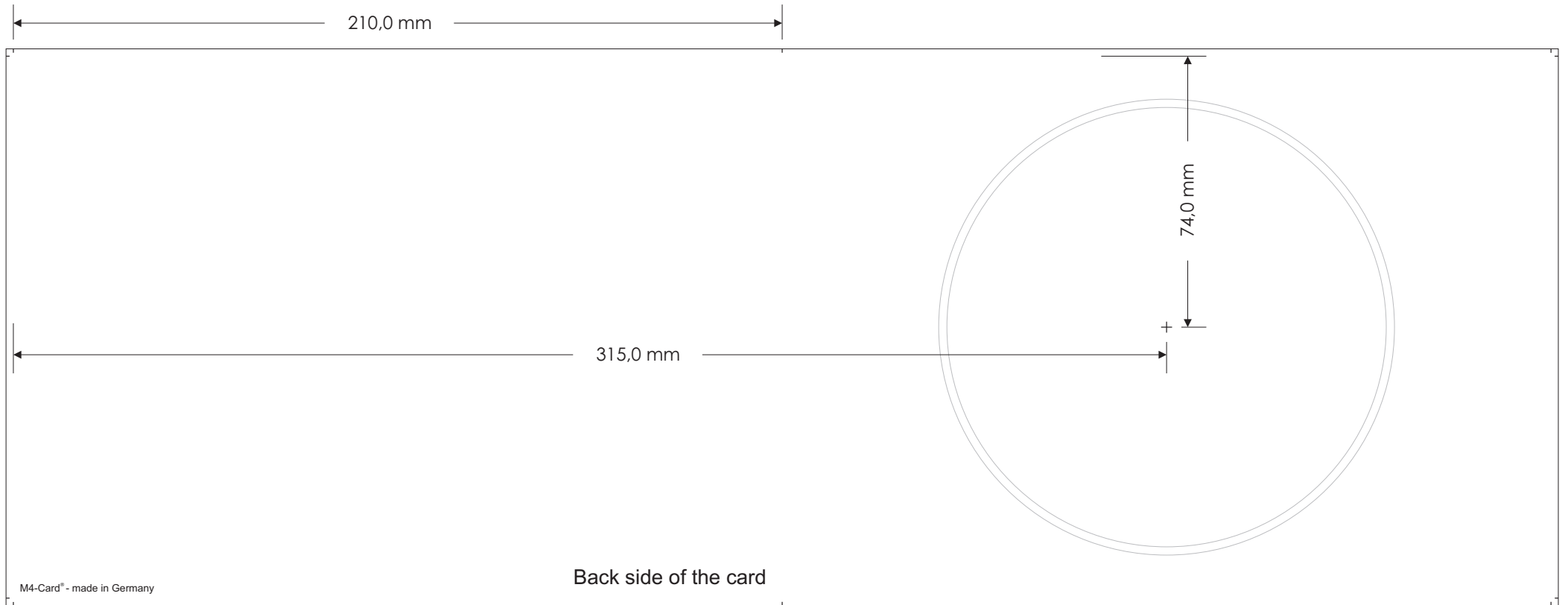
Set the picture file to a min. Resolution of 360 dpi

Use vector file format, **.eps**,  
**.pdf (1.3) text in curves**,  
or bitmap **.tif**

**CMYK**



# M4-Card® Maxi layout pages 2 and 3 (folding DIN A5)



M4-Card® - made in Germany

Include "M4-Card®"  
readable or this logo:

