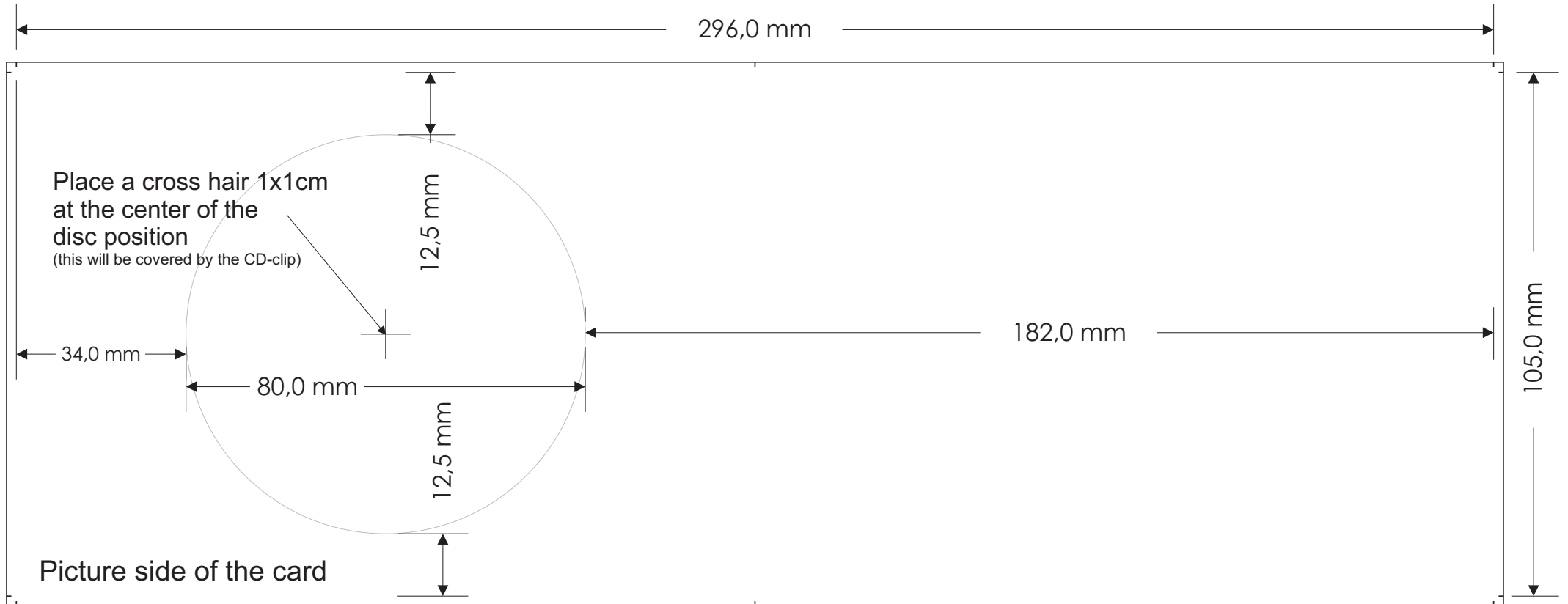


M4-Card[®] front layout (Format DIN A6 with flap)

You can design front and back of the M4-Card[®] layout freely. Please, pay attention to disc position and our general layout instructions!



Add **2 mm** of excess (cut) margin to the layout
total dimensions: **300x 109 mm**
Set the picture file to a min. resolution of 360 dpi
Use **.eps oder .pdf** file format, **text in curves, CMYK**

Example texts:

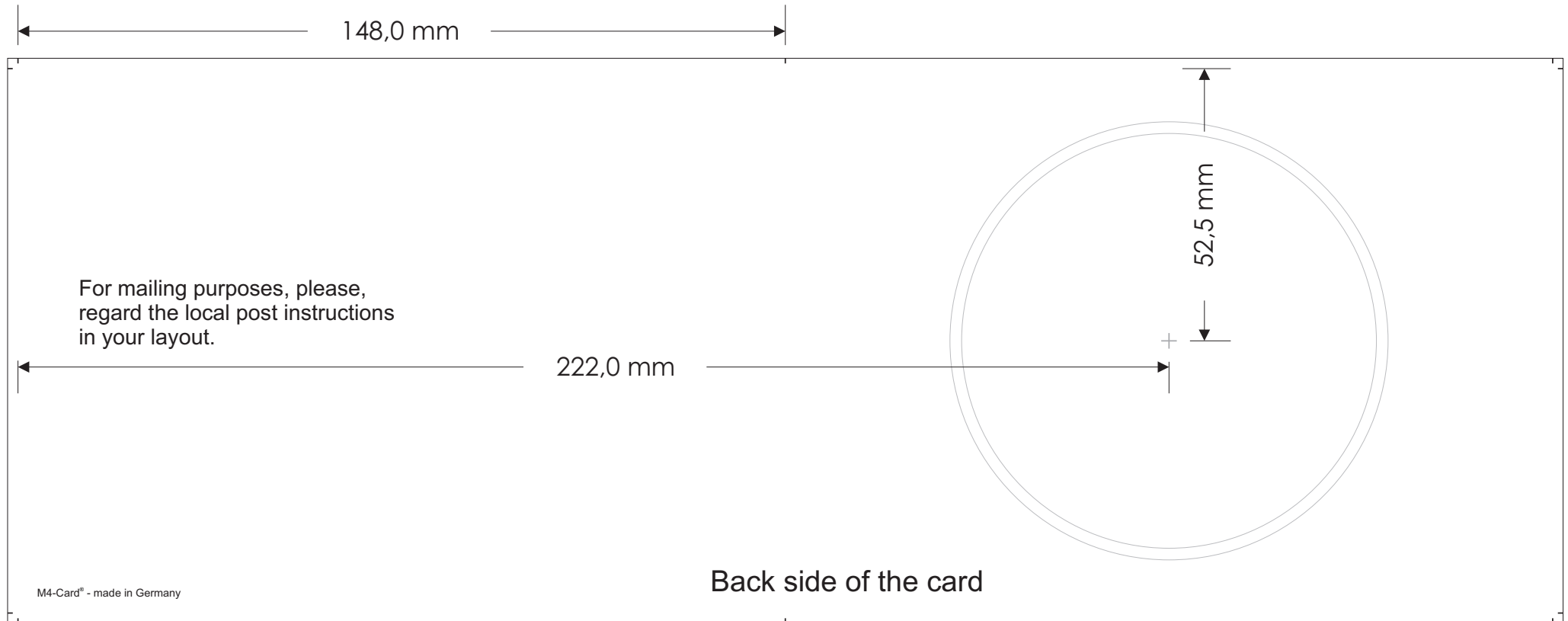
“Use flap to detach the protective foil!”

“Use the CD only in drives with drawer!”

“CD can be played on Computer (PC/Mac) or DVD-Player (SVCD).”



M4-Card[®] back layout (Format DIN A6 with flap)



Include "M4-Card[®]"
readable or this logo:

