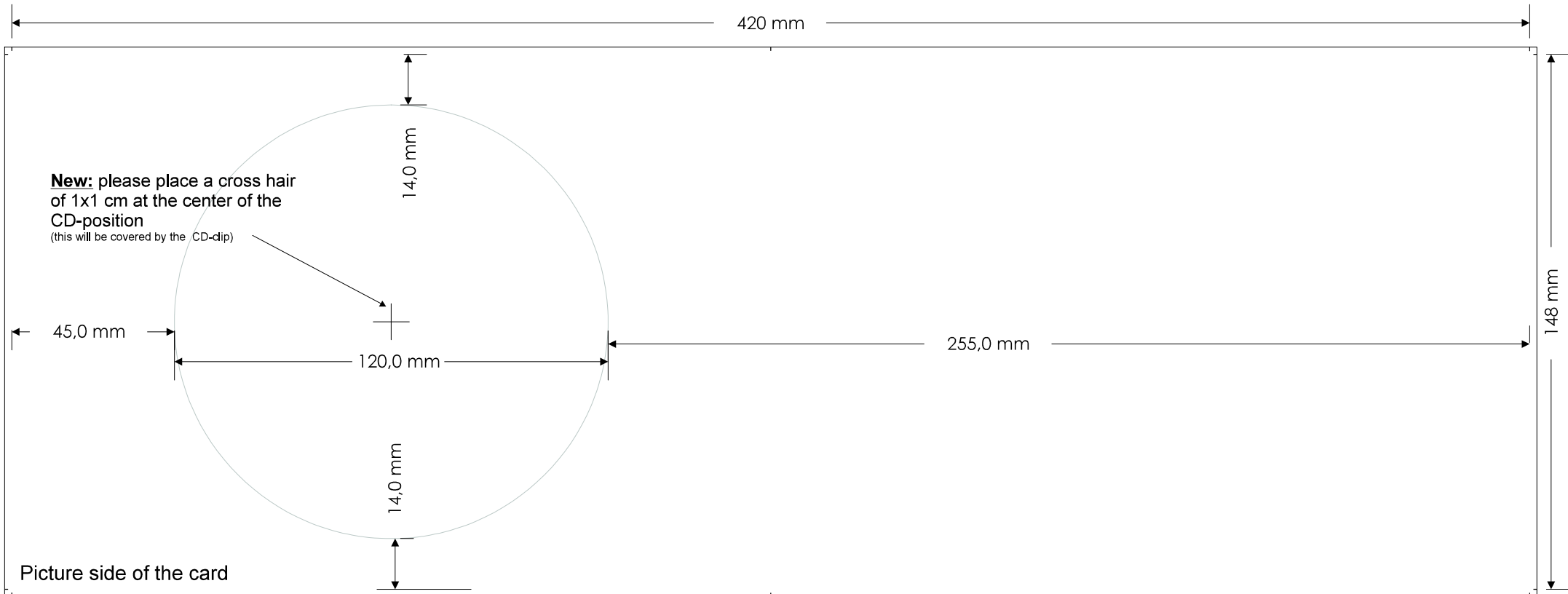


M4-Card® Maxi front layout (folding DIN A5)

Both sides of the M4-Card® can be designed freely. Please note the directions and examples given on the left!



Add 2mm of excess (cut) margin to the layout and cut marks total dimensions: **424x152 mm**

Set the picture file to a minimum resolution of 300 dpi

Use .eps or .pdf (ver. 1.3) file format, text in curves, CMYK

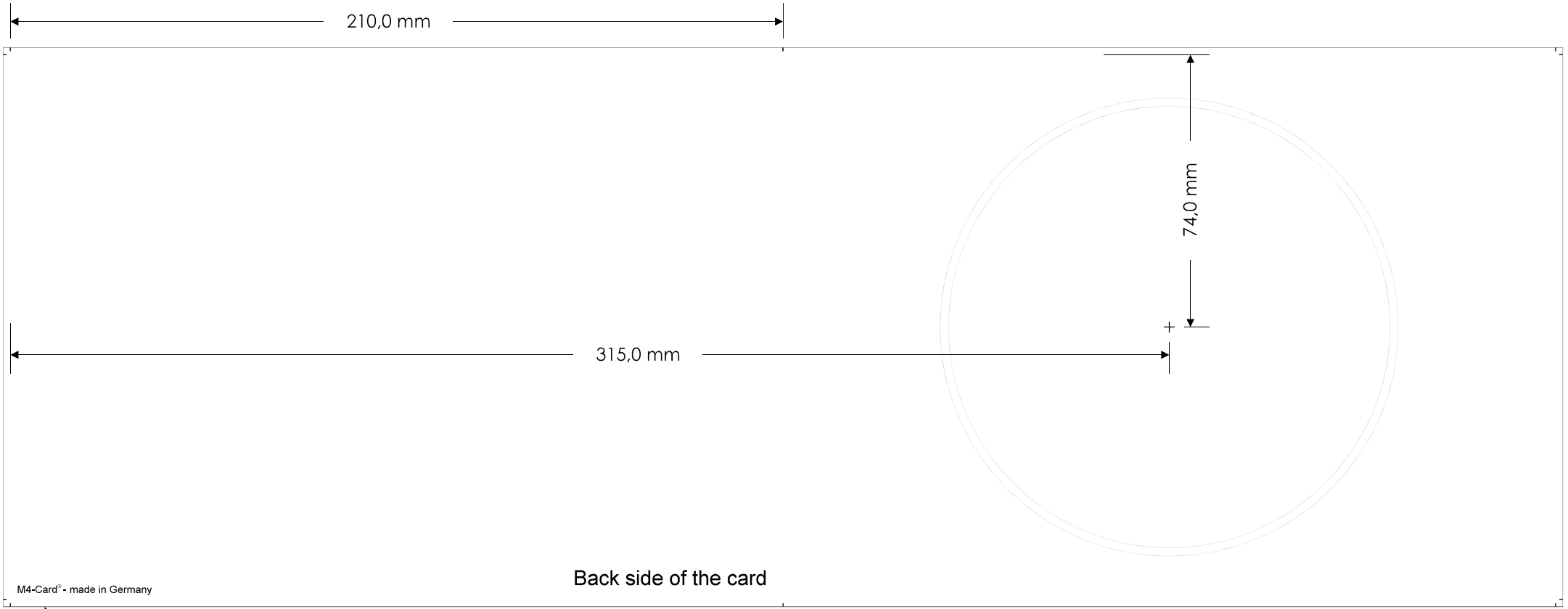
Example texts:

“Use flap to detach the protective foil!”

“CD can be played on Computer (PC/Mac) or DVD-Player (SVCD).“



M4-Card® Maxi back layout (folding DIN A5)



Include this text:
"M4-Card® - made
in Germany",
font size 8pt!

